

KOHLER®

Highbridge®
60" x 32" alcove bath w/ enameled apron
K-877-S

Features

- Comfort Depth® design makes it easier to get in and out of the bath.
- Enameled and recessed apron offers easier access and custom storage under bath.
- Integral flange helps prevent water from seeping behind wall and simplifies alcove installation.
- Safeguard® slip-resistant surface on bath floor.

Material

- KOHLER® enameled cast iron.

Installation

- Left drain.
- Alcove.

Required Products/Accessories

K-7214 27" Cable Bath Drain

or

K-7259 Brass toe tap bath drain

Recommended Products/Accessories

K-330

K-952 Wall-mount Non-diverter Bath Spout

K-1601 Bath/whirlpool footstop, removable

K-14426 35° Bath spout

K-14427 90° Bath spout

K-15138 Wall-mount Diverter Bath Spout

K-16246 Wall-mount Non-diverter Bath Spout

K-702200-G73 Frameless Sliding Bath Door

K-702200-L Frameless Sliding Bath Door

K-23726 Drain treatment

K-23725 Cast iron cleaner



ADA

Codes/Standards

ASME A112.19.1/CSA B45.2

ASTM F462

ADA

ICC/ANSI A117.1



KOHLER® Enameled Cast Iron Bath and Shower Base Lifetime Limited Warranty

See website for detailed warranty information.

Available Colors/Finishes

Color tiles intended for reference only.

Color	Code	Description
-------	------	-------------

	0	White
	96	Biscuit

1-800-4KOHLER (1-800-456-4537)

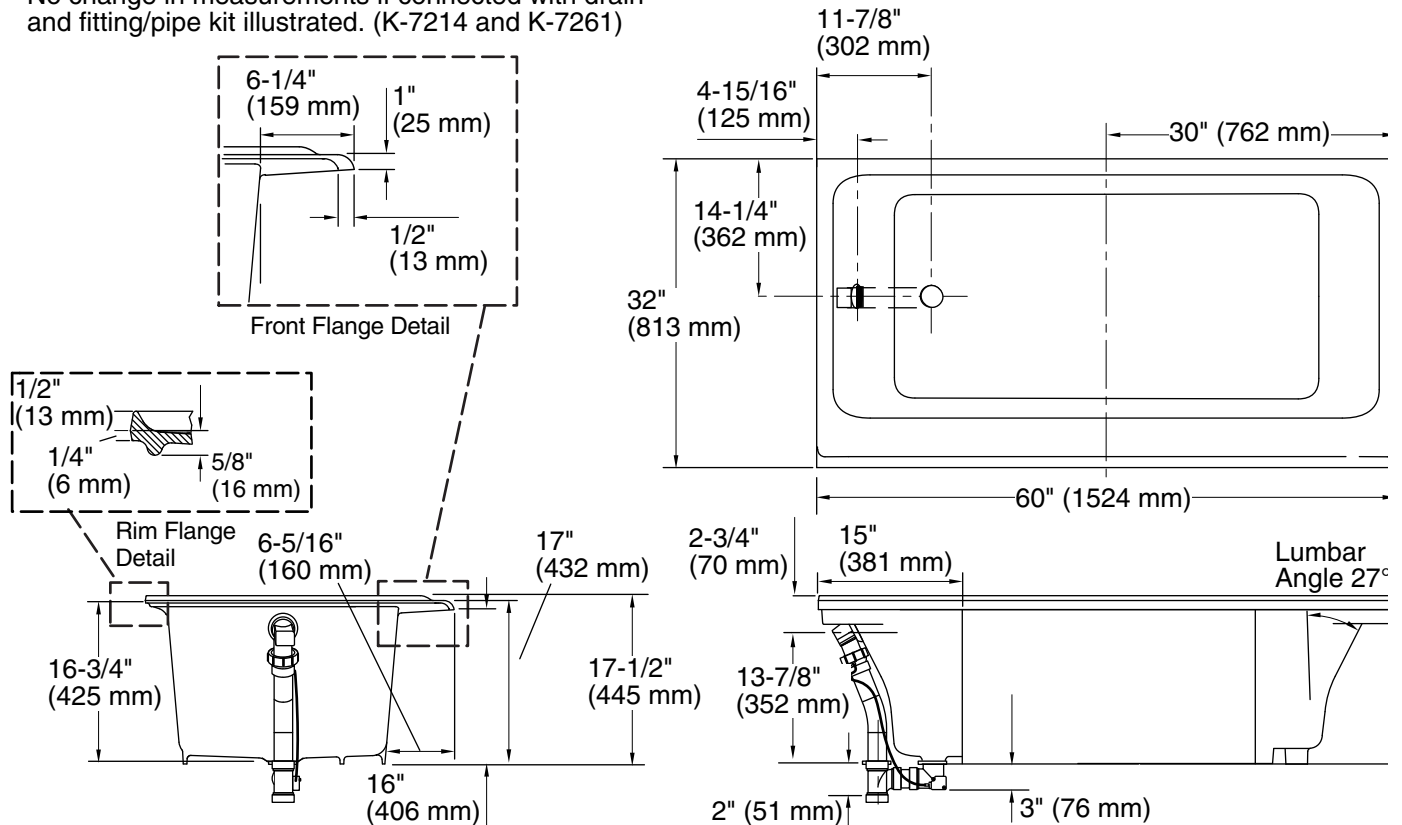
Kohler Co. reserves the right to make revisions without notice to product specifications.

For the most current Specification Sheet, go to www.kohler.com.

5-29-2021 08:21 - US/CA

THE BOLD LOOK
OF **KOHLER®**

No change in measurements if connected with drain and fitting/pipe kit illustrated. (K-7214 and K-7261)



Technical Information

All product dimensions are nominal.

Installation:	Three-wall alcove
Drain location:	Left
Basin area, bottom:	43-7/8" x 20-15/16" (1114 mm x 532 mm)
Basin area, top:	53-3/16" x 23-5/16" (1351 mm x 592 mm)
Weight:	275 lbs (124.7 kg)
Minimum floor load:	54 lbs/ft ² (263.7 kg/m ²)
Water depth:	12-13/16" (325 mm)
Water capacity:	49.5 gal (187.4 L)
Minimum flat for door:	3-3/4" (95 mm)

Notes

Measure your actual product for rough-in details.

Install this product according to the installation instructions.

The hot water supply should be 70% of the capacity of the bath or greater. Installations will vary.

ADA compliant when installed to the specific requirements of these regulations.